

CUBBY STORAGE CART BIN OPTION

SPECIFICATIONS

This versatile, mobile piece offers a sleek design solution for classroom storage and makerspaces and is available with either tote bins or fixed open shelves for large format storage. As part of the Explorer Storage System, the Cubby Cart is perfectly sized for younger students. Or, it can line up nicely with the Rover or Maker tables and be used as a support storage unit with an additional work top for your makerspace.

OVERALL DIMENSIONS

47x26.5x38

BODY

Construction

18 Gauge Formed and Welded Steel

MARKERBOARD

Dimensions

47Wx34H, Bottom 4IN from floor

Surface

Non-Ghosting Powder Coat

STORAGE

2 Shelf Configuration (Fixed)

Shelf Dimension: 45Wx21.5Dx15H

4 Shelf Configuration (Optional)

Shelf Dimension: 45Wx21.5Dx17H

- Fits 12, 6in bins

- 3 bins per shelf

- 4 shelves

6in Bin

Dimensions: 20.875x12.75x6

- 20.6 qt

- Clear

- Polycarbonate

- Dishwasher Safe

- Freezer Safe

CASTERS

4 - 3" Locking Directional Total Lock

- High Strength Steel

- TPU Tread, Non-Marking

- Corrosion Resistant

- 250lb load rating (per caster)

SPECIFICATIONS

Max Load

TBD

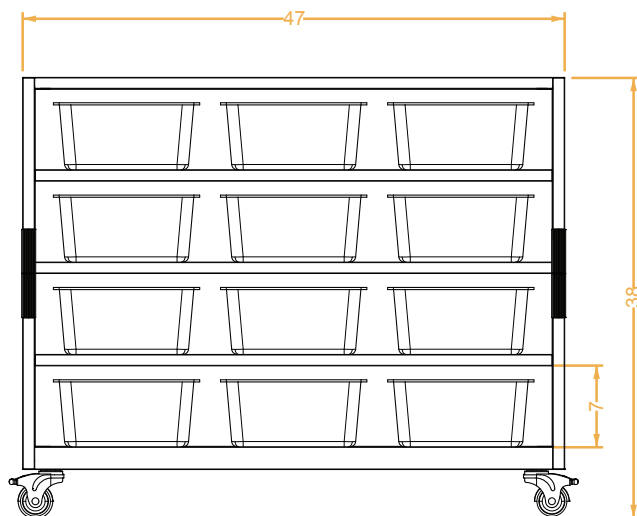
Paint

Textured Powder coat

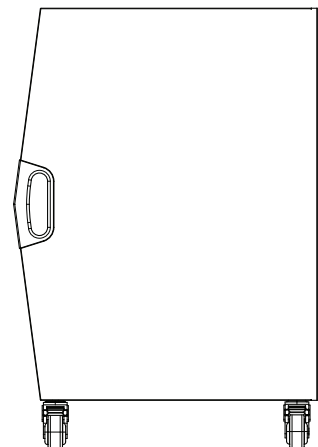
FINISH

Platinum

FRONT VIEW

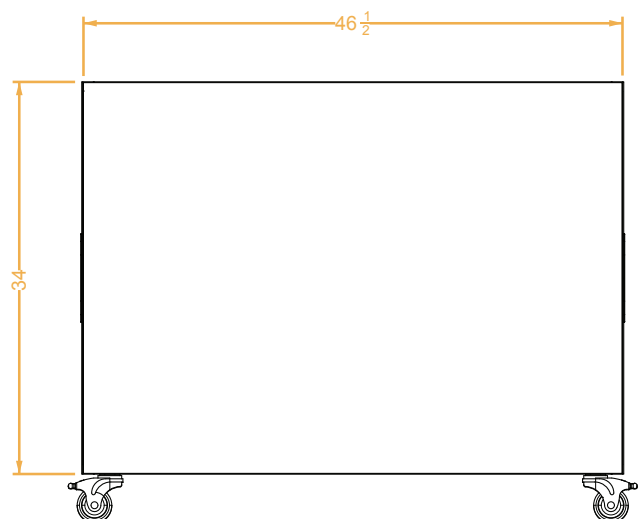


SIDE VIEW



SCAN TO
LEARN MORE

BACK VIEW



TOP VIEW

