

PACK CART SPECIFICATIONS

The Pack Cart replaces the need for built in casework or lockers by providing mobile backpack storage while functioning as a multipurpose ideation tool. With a whiteboard on the back and two rotating columns and hooks for the backpacks, this solution is simple for a single person to move, providing easy access for the students and flexibility in classroom arrangement.

OVERALL DIMENSIONS

52x26.5x66

BODY

Construction

18 Gauge Formed and Welded Steel

MARKERBOARD

Dimensions

52Wx41.5H, Bottom 24.5 from floor

Surface

Non-Ghosting Powder Coat

STORAGE

Inside Dimension

45x21.5x59

HOOKS

Dimensions

- Lower Hook: 30H

- Upper Hook: 65.5H

Construction

- Welded Steel Construction

- 2 - 6 Hook independent swiveling units

- Max Load per hook: TBD

- 360 degree swivel

- Powder coated

CASTERS

4 - 3" Locking Directional Total Lock

- High Strength Steel

- TPU Tread, Non-Marking

- Corrosion Resistant

- 250lb load rating (per caster)

SPECIFICATIONS

Max Load

- TBD

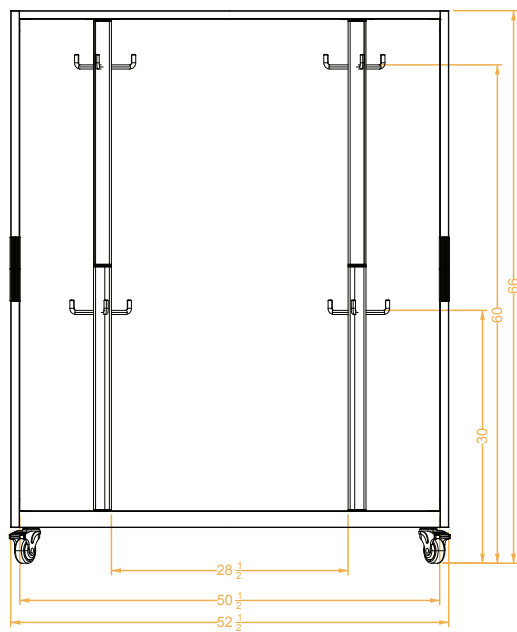
Paint

- Textured Powder coat

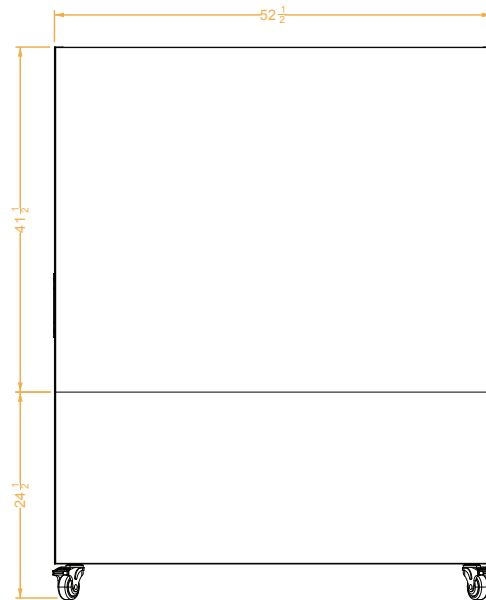
FINISH

Platinum

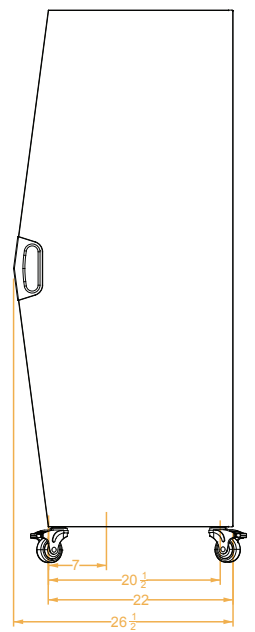
FRONT VIEW



BACK VIEW



SIDE VIEW



TOP VIEW



SCAN TO
LEARN MORE