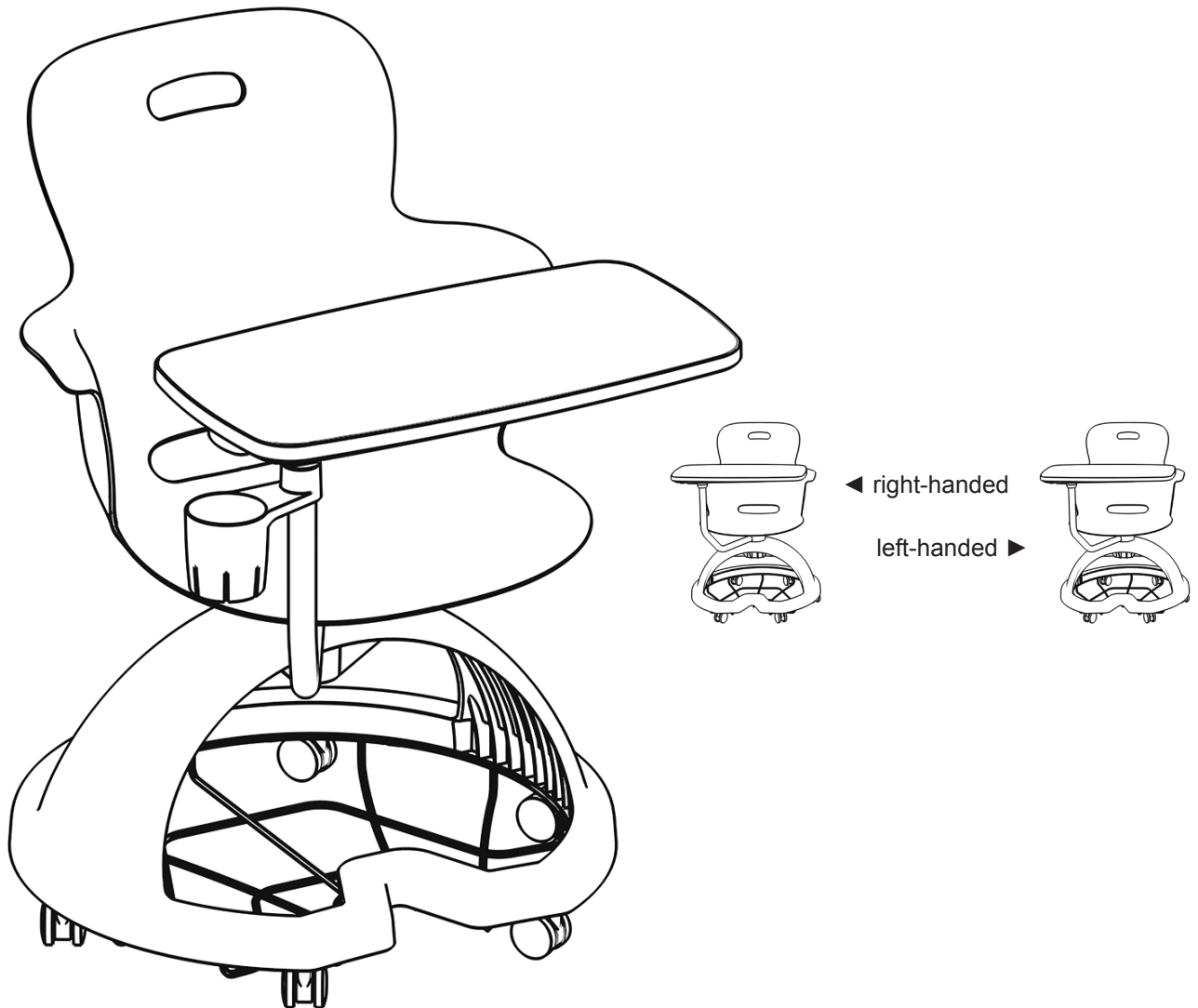


# ETHOS



## ETHOS 2.0 WITH STORAGE BASE

### SPECIFICATIONS

The Ethos series of seating offers a flexible solution for any active learning platform. The classic design combined with structural integrity will provide years of use in any learning environment. The polypropylene shell and base are easy to clean while the open mesh storage tray allows debris to filter through, making for easy classroom maintenance. Powerful functionality like 360-degree swiveling capability and ambidextrous worksurfaces accommodate the different learning styles of every student. An optional cup holder and digital device holder allows for customization and extra storage. The generous work surface will accommodate a Chromebook and a full pad of paper. The 6 casters provide easy movement for seamless transitions from lectures to group work and discussion groups.

**OVERALL DIMENSIONS**  
34.85" h x 25.39" w x 23.84" d

**TABLET DIMENSIONS**  
23.13" w x 12.38" d

**SEAT DIMENSIONS**  
18.25" w x 16.75" d x 16.76" h

**C SHELL OUTSIDE ARM**  
23.5"

**C SHELL INSIDE ARM**  
19.5"

**WEIGHT CAPACITY**  
300 Lbs.

**TABLET SURFACE**  
Non Handed

**CUP HOLDER**  
Optional

**DIGITAL DEVICE HOLDER**  
Holds Smart Phones and Tablet Devices

**STORAGE BASE**  
Holds Large Book Bag

**STORAGE BASE TRAY**  
Open Wire Mesh

**CASTERS**  
Hard and Soft Option

**STATIONARY GLIDES**  
Available

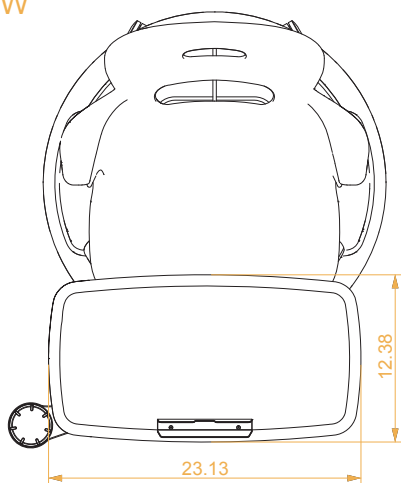
**SWIVEL SEAT**  
Rotates Full 360°

**POLYPROPYLENE SHELL**  
Durable and Easy to Clean

**SIMPLE TO ASSEMBLE**  
No Tools Required

**WARRANTY**  
Limited Lifetime

### TOP VIEW



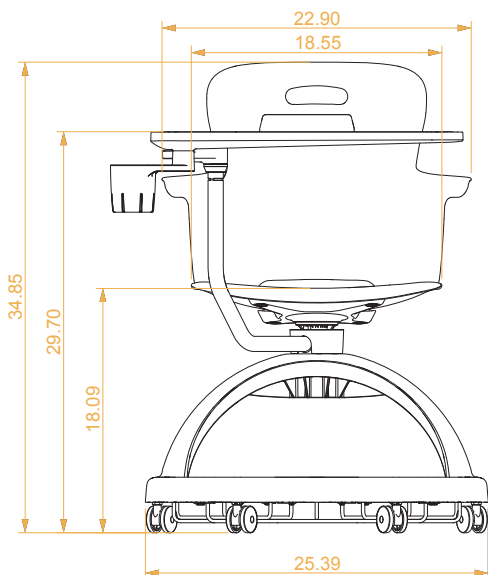
### SHELL COLOR OPTIONS



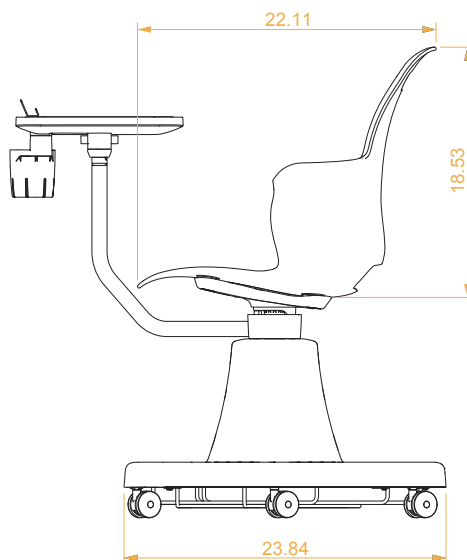
### BASE COLOR OPTIONS



### FRONT VIEW



### SIDE VIEW



SCAN TO  
LEARN MORE