

ETHOS 2.0 WITH STORAGE BASE

SPECIFICATIONS

The Ethos series of seating offers a flexible solution for any active learning platform. The classic design combined with structural integrity will provide years of use in any learning environment. The polypropylene shell and base are easy to clean while the open mesh storage tray allows debris to filter through, making for easy classroom maintenance. The 6 casters provide easy movement for seamless transitions from lectures to group work and discussion groups.

OVERALL DIMENSIONS
34.85" h x 25.39" w x 23.84" d

SEAT DIMENSIONS
18.25" w x 16.75" d x 16.76" h

C SHELL OUTSIDE ARM
23.5"

C SHELL INSIDE ARM
19.5"

WEIGHT CAPACITY
300 Lbs.

STORAGE BASE
Holds Large Book Bag

STORAGE BASE TRAY
Open Wire Mesh

CASTERS
Hard and Soft Option

STATIONARY GLIDES
Available

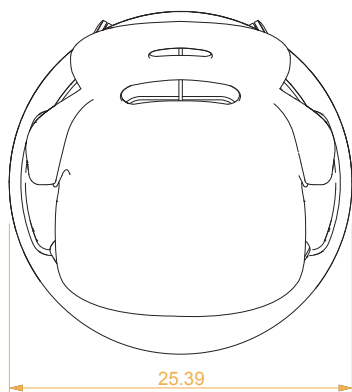
SWIVEL SEAT
Rotates Full 360°

POLYPROPYLENE SHELL
Durable and Easy to Clean

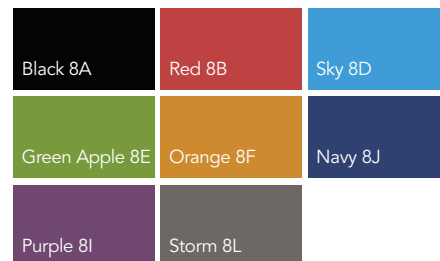
SIMPLE TO ASSEMBLE
No Tools Required

WARRANTY
Limited Lifetime

TOP VIEW



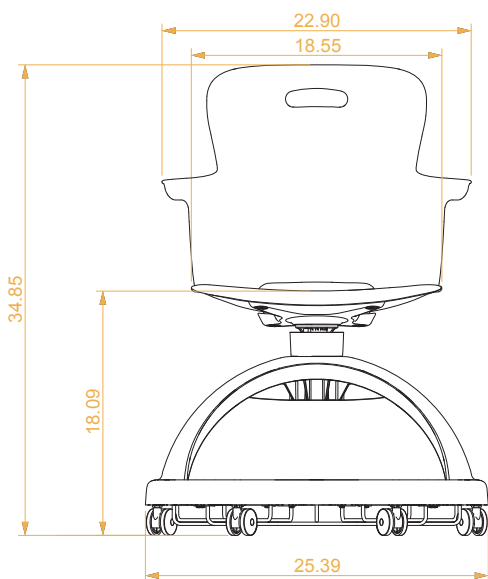
SHELL COLOR OPTIONS



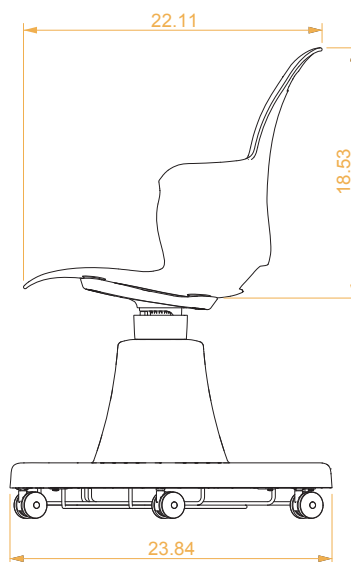
BASE COLOR OPTIONS



FRONT VIEW



SIDE VIEW



SCAN TO
LEARN MORE