

ETHOS 2.0 WITH STORAGE BASE

SPECIFICATIONS

The Ethos series of seating offers a flexible solution for any active learning platform. The classic design combined with structural integrity will provide years of use in any learning environment. The polypropylene shell and base are easy to clean while the open mesh storage tray allows debris to filter through, making for easy classroom maintenance. Powerful functionality like 360-degree swiveling capability and ambidextrous worksurfaces accommodate the different learning styles of every student. An optional cup holder and digital device holder allows for customization and extra storage. The generous work surface will accommodate a Chromebook and a full pad of paper. The 6 casters provide easy movement for seamless transitions from lectures to group work and discussion groups.

OVERALL DIMENSIONS
34.85" h x 25.39" w x 23.84" d

TABLET DIMENSIONS
23.13" w x 12.38" d

SEAT DIMENSIONS
18.25" w x 16.75" d x 16.76" h

C SHELL OUTSIDE ARM
23.5"

C SHELL INSIDE ARM
19.5"

WEIGHT CAPACITY
300 Lbs.

TABLET SURFACE
Non Handed

CUP HOLDER
Optional

DIGITAL DEVICE HOLDER
Holds Smart Phones and Tablet Devices

STORAGE BASE
Holds Large Book Bag

STORAGE BASE TRAY
Open Wire Mesh

CASTERS
Hard and Soft Option

STATIONARY GLIDES
Available

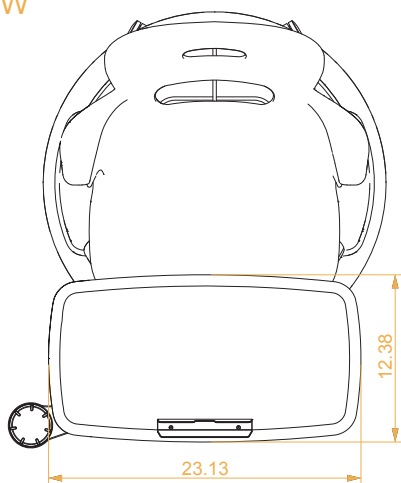
SWIVEL SEAT
Rotates Full 360°

POLYPROPYLENE SHELL
Durable and Easy to Clean

SIMPLE TO ASSEMBLE
No Tools Required

WARRANTY
Limited Lifetime

TOP VIEW



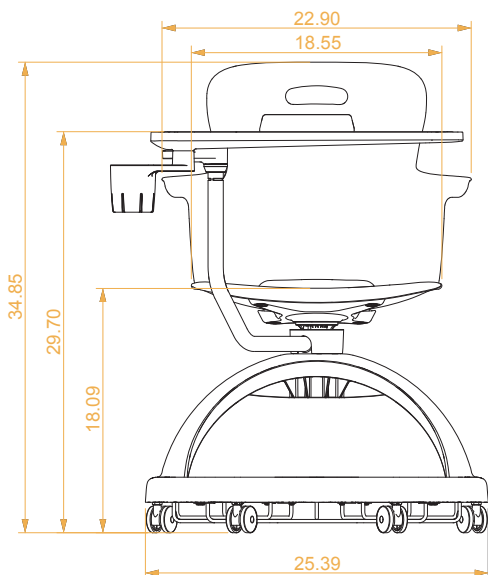
SHELL COLOR OPTIONS



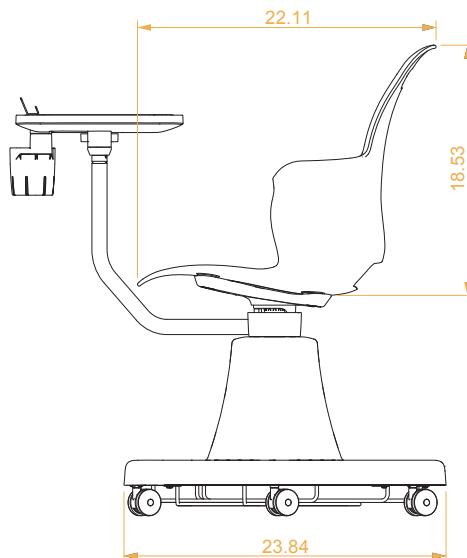
BASE COLOR OPTIONS



FRONT VIEW



SIDE VIEW



SCAN TO
LEARN MORE

haskelloffice.com/ethos/

©2023 Haskell Education. All Rights Reserved. Haskell Office®, Rover®, Explorer Series®, Learn Think Do®, Voyager®, and Tesla Table®, Assemble, Ethos, Captiva, Disco, Echo, Fuzion, Smart, Market, Marathon, and 360 are trademarks of Haskell Office, LLC.

